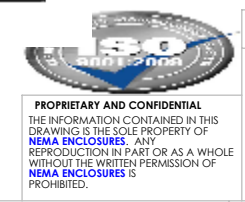
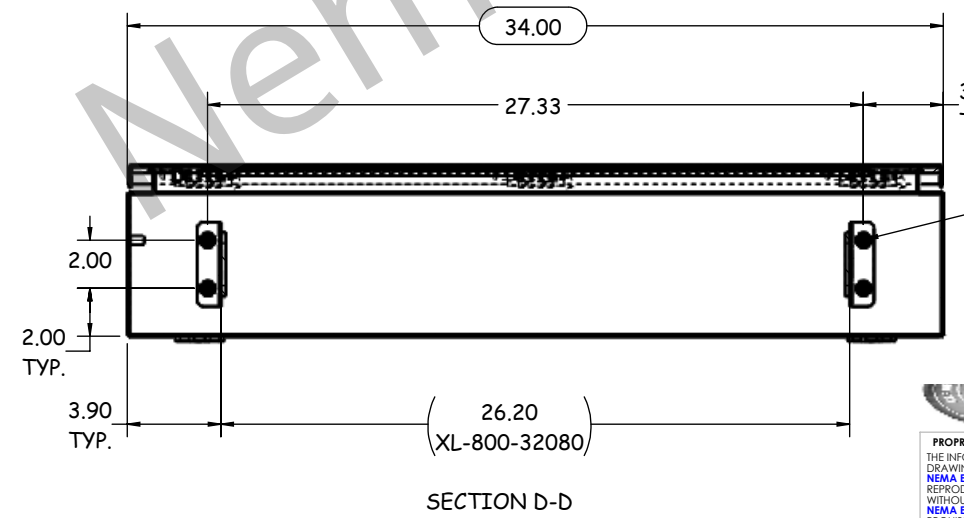
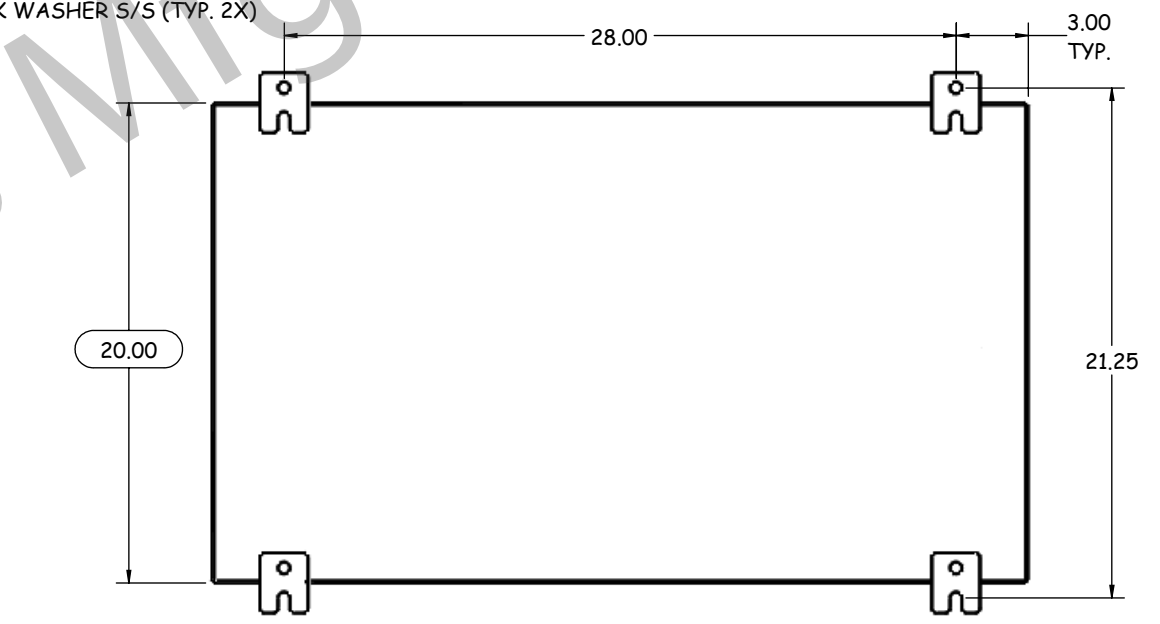
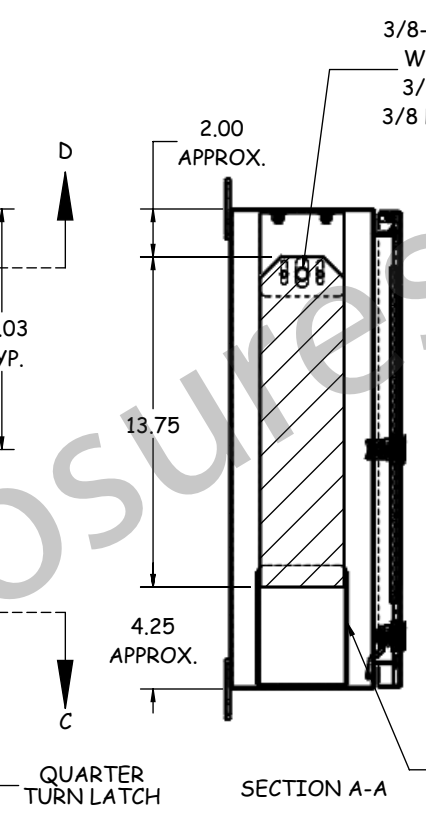
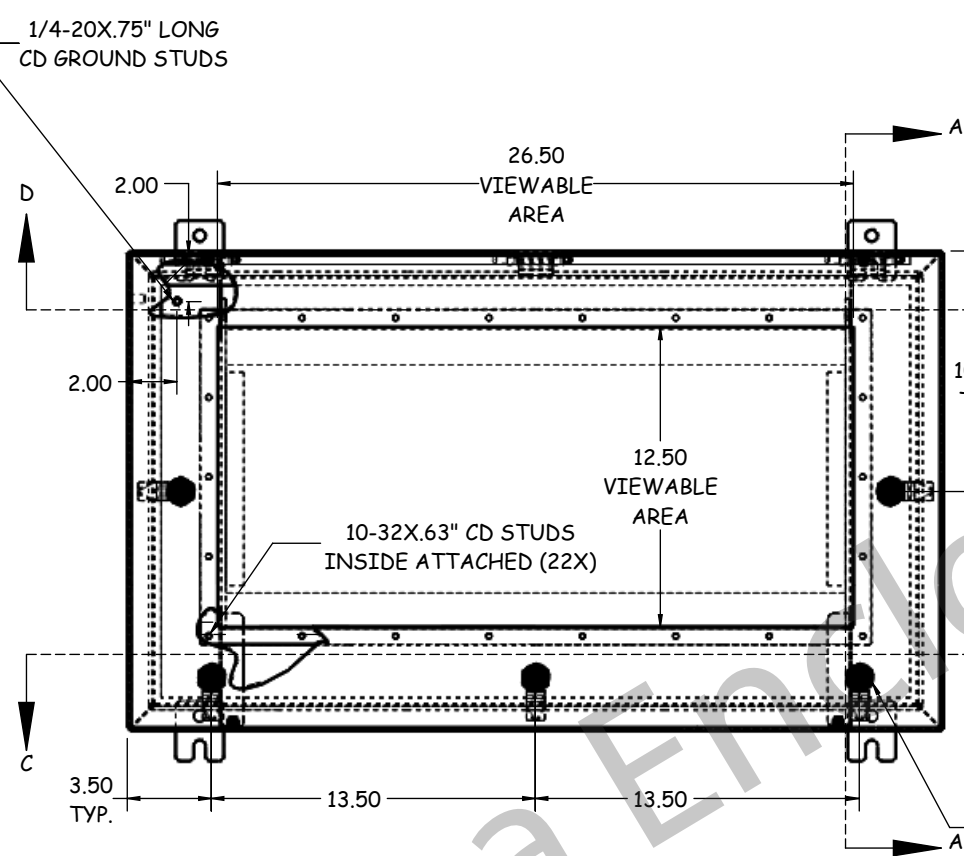
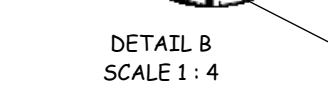
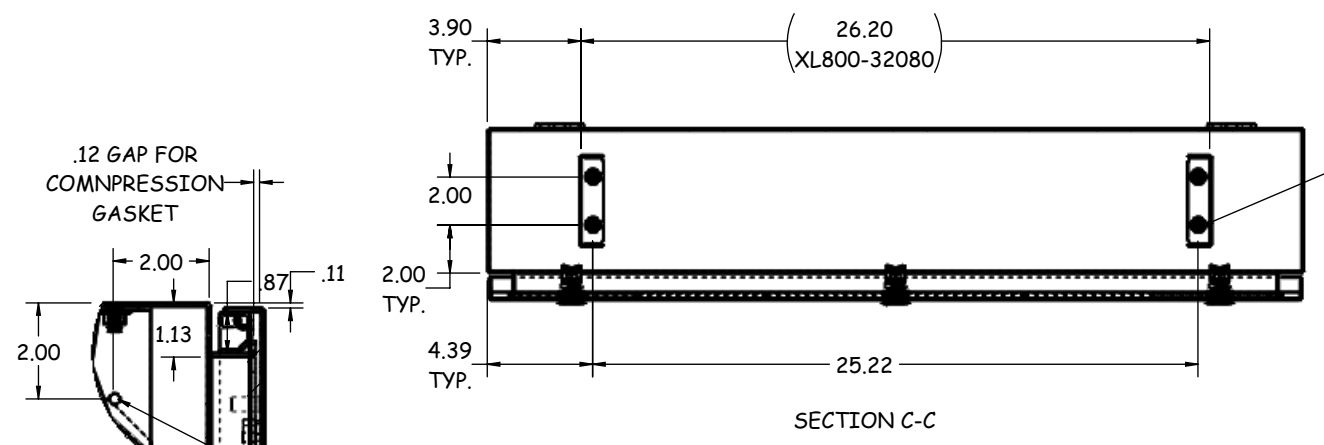


REVISIONS				
ZONE	REV.	DESCRIPTION	DATE	APPROVED
--	--			

Fits Vorne Productivity Unit:
XL-800-32080T (Not Included)

- NOTE**
- NEMA 4X RATED / UL LISTED / IP66, CSD STYLE ENCLOSURE
 - 14GA. 316 STAINLESS STEEL CONSTRUCTION, BRUSH FINISHED.
 - NO BACKPANEL, OR STUDS.
 - QUARTER TURN LATCH / CONCEALED HINGE.
 - 1/4" LEXAN WINDOW WITH 10-32 CD STUDS INSIDE ATTACHED.



PROPRIETARY AND CONFIDENTIAL
THE INFORMATION CONTAINED IN THIS DRAWING IS THE SOLE PROPERTY OF NEMA ENCLOSURES. ANY REPRODUCTION IN PART OR AS A WHOLE WITHOUT THE WRITTEN PERMISSION OF NEMA ENCLOSURES IS PROHIBITED.

UNLESS OTHERWISE SPECIFIED:
DIMENSIONS ARE IN INCHES
TOLERANCES:
FRACTIONAL: ±1/16
ANGULAR: MACH ±1°
HOLE: +.004/-0.001 (LASER ONLY)
ONE PLACE DECIMAL: ±.0625
TWO PLACE DECIMAL: ±.030
THREE PLACE DECIMAL: ±.015
POWDER COAT STANDARD 2 MIL ±.5 MIL

	NAME	DATE
DRAWN	JAM	11/30/16
CHECKED		
ENG APPR.		
MFG APPR.		
Q.A.		
MATERIAL	AS NOTED	
FINISH	AS NOTED	



		TITLE:	
		NEMA ENCLOSURES 20.00"H X 34.00"W X 6.00"D NEMA 4X/ IP66 13.7" X 26.2" X 3.5" VORNE DISPLAY	
DWG. NO.		REV	
CHDSS6203406VD			
SCALE: 1:8	WEIGHT:	SHEET 1 OF 2	